

EVENSREAD Travelling Irrigators

NZ Patent No 5253313

ADCAM® 750

Low Application Evensread Irrigator

NUMEDIC ADCAM®750 TRAVELLING IRRIGATOR PERFORMANCE CHART
(STANDARD 13mm NOZZLES AT 45°)

Pressure at Irrigator = 20 psi, Volume = 14400 ltr/hr, Average spread = 25m		
Number of teeth taken per revolution	Travel Speed (m/hr)	Average Application Depth (mm)
2	12	48
3	18	32
4	24	24
5	30	19
6	36	16
7	42	14
8	48	12
Pressure at Irrigator = 30 psi, Volume = 18000 ltr/hr, Average spread = 30m		
Number of teeth taken per revolution	Travel Speed (m/hr)	Average Application Depth (mm)
2	16	38
3	24	25
4	32	19
5	40	15
6	48	13
7	56	11
8	64	9
Pressure at Irrigator = 40 psi, Volume = 21600 ltr/hr, Average spread = 35m		
Number of teeth taken per revolution	Travel Speed (m/hr)	Average Application Depth (mm)
2	24	26
3	36	17
4	48	13
5	60	10
6	72	9
7	84	7
8	96	6

THE INFORMATION CONTAINED ABOVE HAS BEEN DETERMINED FROM TESTS PUMPING CLEAN WATER. WHEN PUMPING MORE VISCOUS LIQUIDS VARIATIONS IN IRRIGATOR PERFORMANCE MAY OCCUR. THEREFORE THE ABOVE INFORMATION SHOULD BE USED AS A GUIDE ONLY.

© NUMEDIC LIMITED, 70 RIRI STREET ROTORUA 3015, NEW ZEALAND www.numedic.co.nz



ADCAM® 750 Features are:

- Boom diameter 8 metres
- Spread 20-35 metres depending on pump pressure
- Depths down to 6 mm
- 250 metres of 4 mm wire rope

ADCAM® 755

Low Application Evensread Irrigator

ADCAM® 755 Features are:

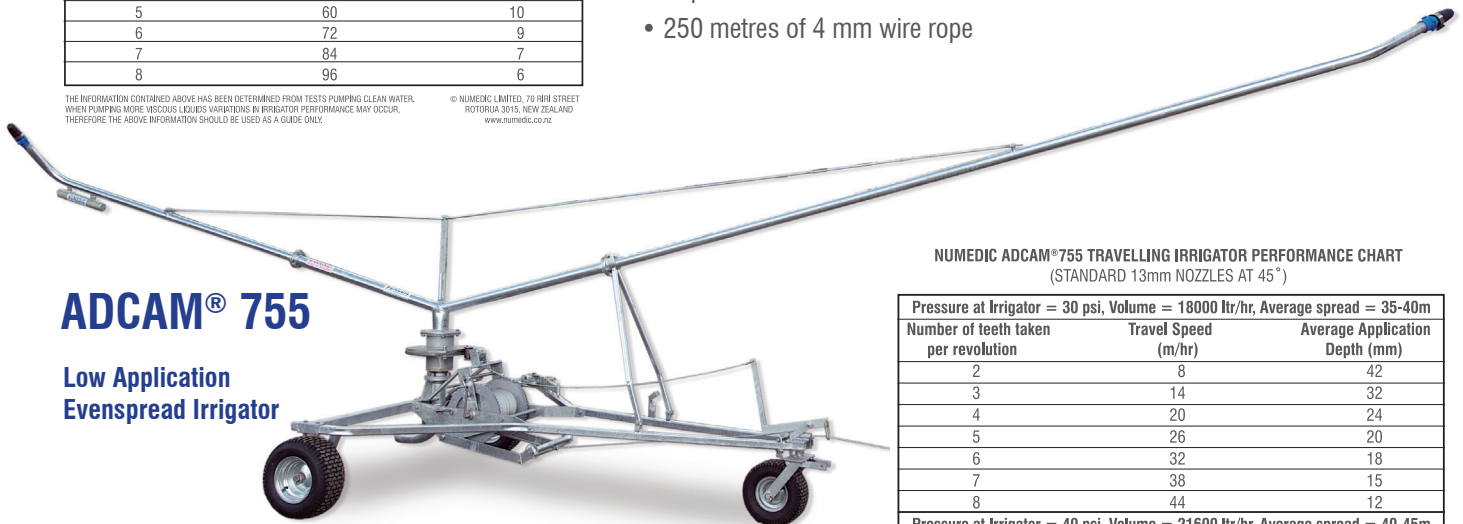
- Boom diameter 10 metres
- Spread 30-45 metres depending on pump pressure.
- Depths down to 9 mm
- 400 metres of 5 mm wire rope

NUMEDIC ADCAM®755 TRAVELLING IRRIGATOR PERFORMANCE CHART
(STANDARD 13mm NOZZLES AT 45°)

Pressure at Irrigator = 30 psi, Volume = 18000 ltr/hr, Average spread = 35-40m		
Number of teeth taken per revolution	Travel Speed (m/hr)	Average Application Depth (mm)
2	8	42
3	14	32
4	20	24
5	26	20
6	32	18
7	38	15
8	44	12
Pressure at Irrigator = 40 psi, Volume = 21600 ltr/hr, Average spread = 40-45m		
Number of teeth taken per revolution	Travel Speed (m/hr)	Average Application Depth (mm)
2	12	28
3	20	20
4	28	16
5	36	14
6	44	12
7	52	10
8	60	9

THE INFORMATION CONTAINED ABOVE HAS BEEN DETERMINED FROM TESTS PUMPING CLEAN WATER. WHEN PUMPING MORE VISCOUS LIQUIDS VARIATIONS IN IRRIGATOR PERFORMANCE MAY OCCUR. THEREFORE THE ABOVE INFORMATION SHOULD BE USED AS A GUIDE ONLY.

© NUMEDIC LIMITED, 70 RIRI STREET ROTORUA 3015, NEW ZEALAND www.numedic.co.nz



EVENSREAD Travelling Irrigators

NZ Patent No 5253313



ADCAM® 765

Low Application Evenspread Irrigator

ADCAM® 765 Features are:

- Boom diameter 16 metres
- Spread 30-50 metres depending on pressure
- Depths down to 10 mm
- 400 metres of 5 mm wire rope

NUMEDIC ADCAM®765 TRAVELLING IRRIGATOR PERFORMANCE CHART
(STANDARD 13mm NOZZLES AT 45°)

Pressure at Irrigator = 30 psi, Volume = 18000 ltr/hr, Average spread = 35-40m		
Number of teeth taken per revolution	Travel Speed (m/hr)	Average Application Depth (mm)
2	8	50
3	12	37
4	16	24
5	20	20
6	24	18
7	28	15
8	32	13
Pressure at Irrigator = 40 psi, Volume = 21600 ltr/hr, Average spread = 40-45m		
Number of teeth taken per revolution	Travel Speed (m/hr)	Average Application Depth (mm)
2	12	34
3	18	22
4	24	16
5	30	14
6	36	12
7	42	11
8	48	10

THE INFORMATION CONTAINED ABOVE HAS BEEN DETERMINED FROM TESTS PUMPING CLEAN WATER. WHEN PUMPING MORE VISCOUS LIQUIDS VARIATIONS IN IRRIGATOR PERFORMANCE MAY OCCUR. THEREFORE THE ABOVE INFORMATION SHOULD BE USED AS A GUIDE ONLY.

© NUMEDIC LIMITED, 70 RIRI STREET ROTORUA 3015, NEW ZEALAND
www.numedic.co.nz

All Numedic ADCAM® Travelling Irrigators have the following Features and Benefits:

Features	Benefits
1 Long boom and 1 Short Boom	Very Even Spread of Effluent with a distribution uniformity down to 1.18
Patented adjustable Cam	7 Easily Adjustable Travel Speeds which provides a range of depths and rates
Flanged Booms	Provides extra strength and allows the boom angles to be easily adjusted to control boom speed
Wire rope winder	Ensures even winding of the wire rope
Double Winch Teeth Drive	Double ratchet drive for an even load distribution
Bronze Bushes	Strong Bronze Bushes give superior reliability and a long life
Winch drum brake	Prevents the overrun of wire rope
Galvanised Chassis	Hot dipped galvanised chassis gives a long life under very corrosive conditions
Removable towbar	Allows for more ground clearance